

SBP25WC080N2U6R1W

SWIVEL CASTOR Ø 80 MM SERIES N2U6 ROLLER BEARING

WHEEL

wheel diameter in mm	80
wheel width in mm	32
hub width in mm	40
screw size	M8
tread	thermopl. polyurethane 95° shore A red
wheel center	polyamide grey
bearing	roller bearing
threadguard	small metal threadguard
temperature range	-40°C to +80°C



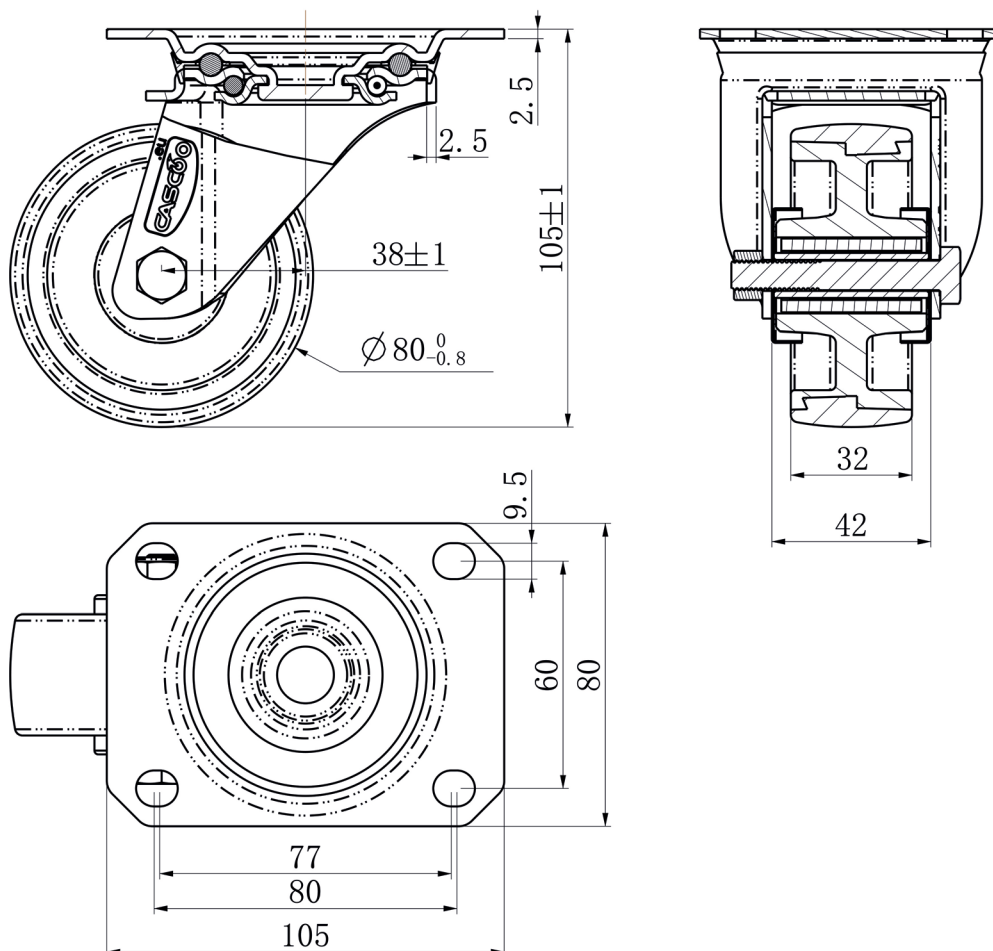
HOUSING

material thickness fitting in mm	2.50
material thickness fork in mm	2.50
fitting	plate
mounting dimension in mm	80 / 77 x 60
offset dimension in mm	40
total height in mm	105
swivel radius in mm	0
dyn. load capacity in kg	130
test norm	DIN EN 12532



SBP25WC080N2U6R1W

SWIVEL CASTOR Ø 80 MM SERIES N2U6 ROLLER BEARING



CASCOO Europe GmbH

Lütke Haar 15 • 59602 Rüthen • Germany
+49 2952 - 970629-0
info@cascoo.eu • www.cascoo.eu