

TPP37WC125AAU5D0N

## SWIVEL CASTOR WITH TOTAL BRAKE Ø 125 MM SERIES AAU5 DOUBLE BALL BEARING

### WHEEL

wheel diameter in mm	125
wheel width in mm	40
hub width in mm	50
screw size	M10
tread	polyurethane 92° shore A brown
wheel center	aluminium
bearing	double ball bearing
threadguard	without separate threadguard
temperature range	-20°C to +60°C



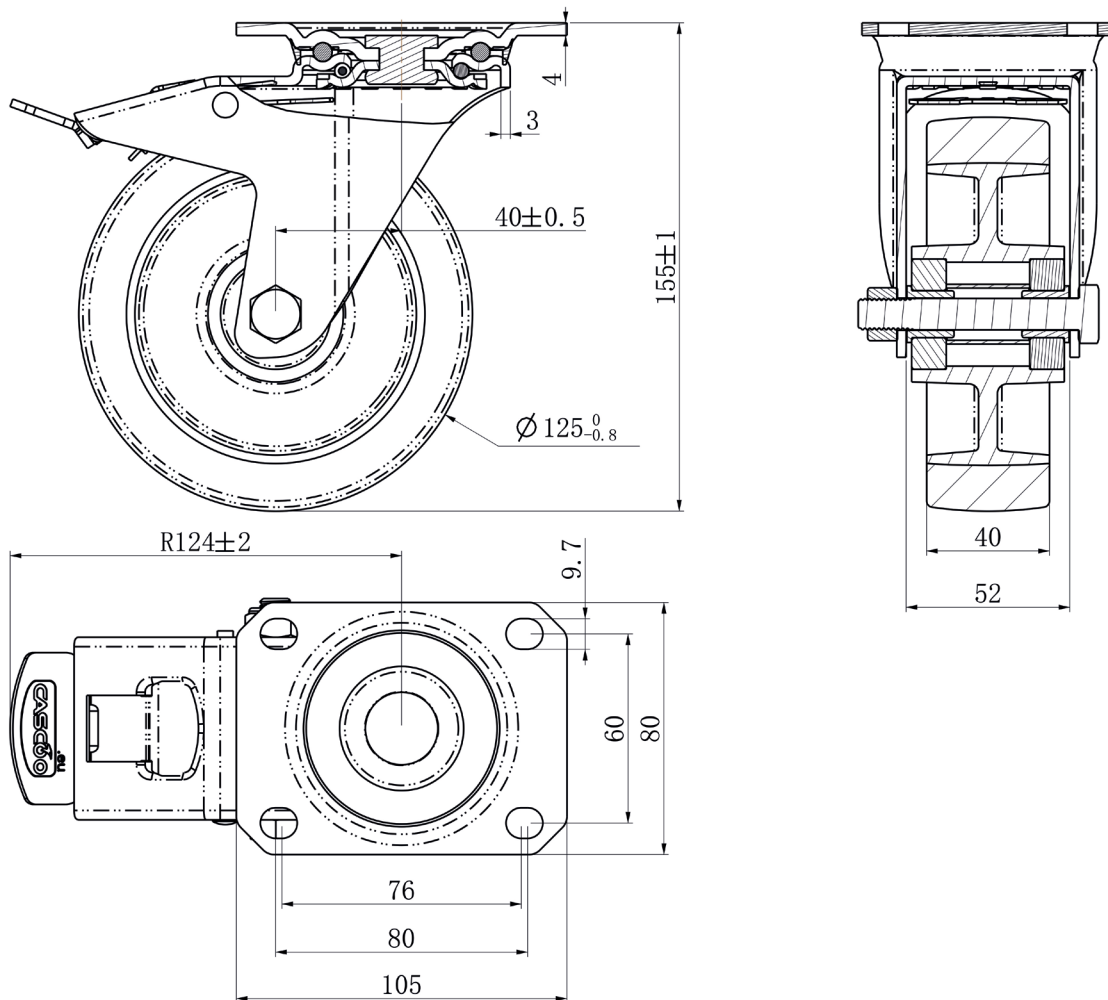
### HOUSING

material thickness fitting in mm	4.00
material thickness fork in mm	3.00
fitting	plate
mounting dimension in mm	80 / 77 x 60
offset dimension in mm	45
total height in mm	155
swivel radius in mm	127
dyn. load capacity in kg	350
test norm	DIN EN 12532



TPP37WC125AAU5D0N

# SWIVEL CASTOR WITH TOTAL BRAKE Ø 125 MM SERIES AAU5 DOUBLE BALL BEARING



**CASCOO Europe GmbH**

Lütke Haar 15 • 59602 Rüthen • Germany  
+49 2952 - 970629-0  
info@cascoo.eu • www.cascoo.eu