

FPP35WC125R4E2B34

FIXED CASTOR Ø 125 MM SERIES R4E2 BALL BEARING

WHEEL

wheel diameter in mm	125
wheel width in mm	38
hub width in mm	50
screw size	M10
tread	elastic 65° shore A grey
wheel center	polyamide black
bearing	ball bearing
threadguard	small nylon threadguard
temperature range	-20°C to +80°C



HOUSING

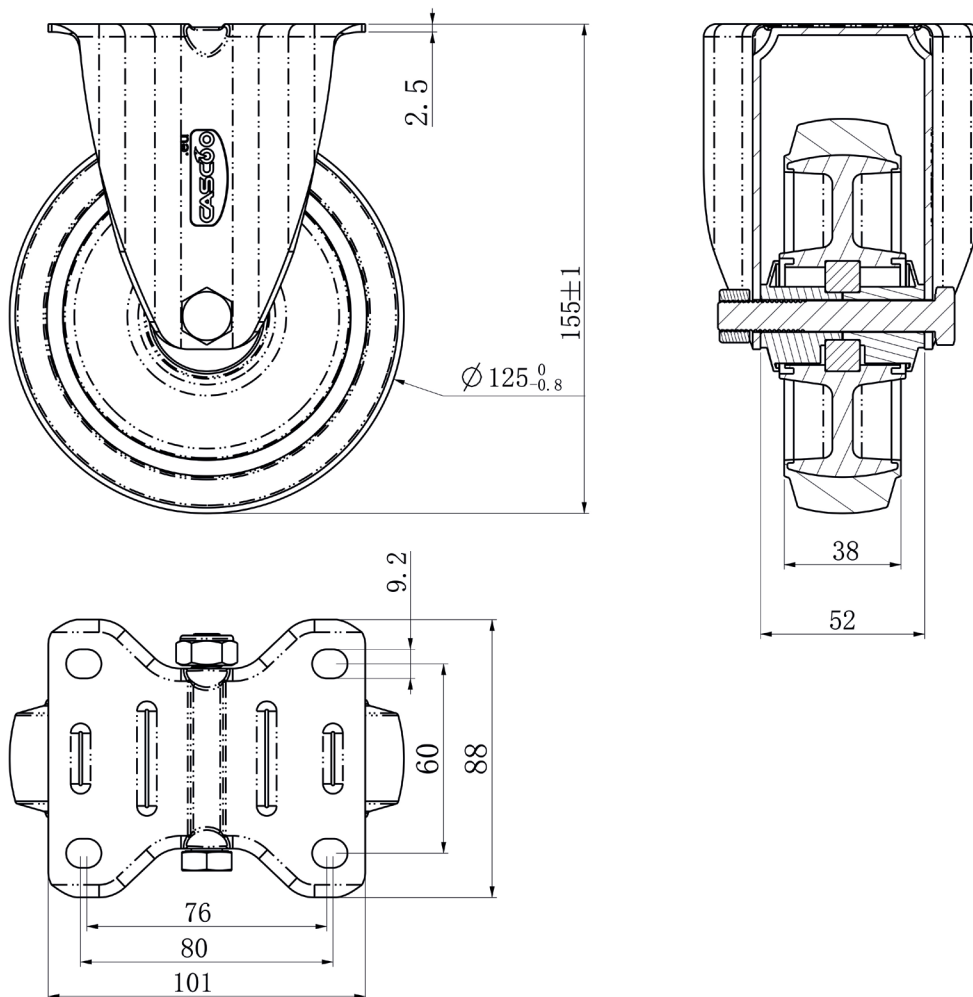
material thickness fitting in mm	2.50
material thickness fork in mm	2.50
fitting	plate
mounting dimension in mm	80 / 77 x 60
offset dimension in mm	0
total height in mm	155
swivel radius in mm	0
dyn. load capacity in kg	220
test norm	DIN EN 12532

**CASCOO Europe GmbH**

Lütke Haar 15 • 59602 Rüthen • Germany
+49 2952 - 970629-0
info@cascoo.eu • www.cascoo.eu

FPP35WC125R4E2B34

FIXED CASTOR Ø 125 MM SERIES R4E2 BALL BEARING



CASCOO Europe GmbH

Lütke Haar 15 • 59602 Rüthen • Germany
+49 2952 - 970629-0
info@cascoo.eu • www.cascoo.eu