

TIP26SC100N2U6Q0N

## SWIVEL CASTOR WITH TOTAL BRAKE Ø 100 MM SERIES N2U6 ROLLER BEARING STAINLESS STEEL

### WHEEL

wheel diameter in mm	100
wheel width in mm	32
hub width in mm	40
screw size	M8
tread	thermopl. polyurethane 95° shore A red
wheel center	polyamide grey
bearing	roller bearing stainless steel
threadguard	without separate threadguard
temperature range	-40°C to +80°C



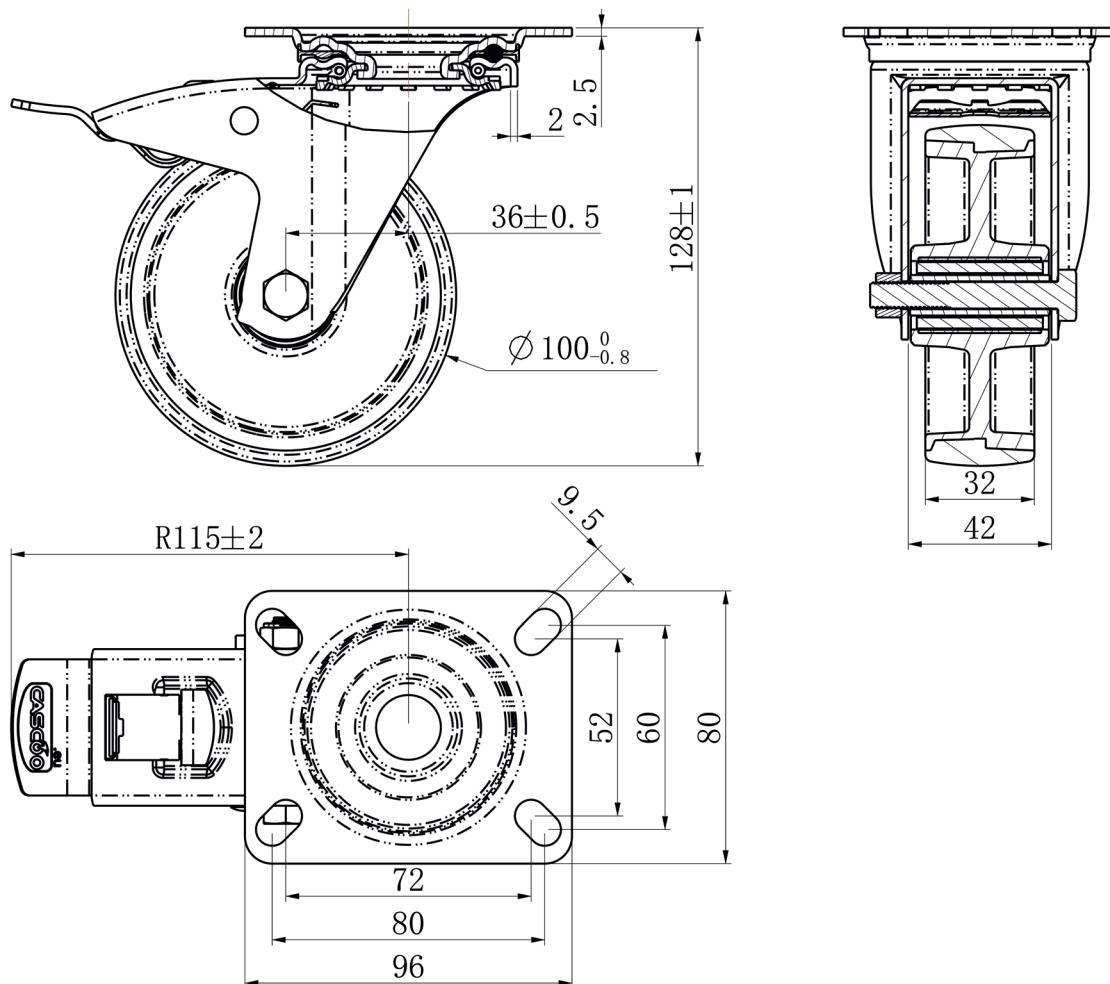
### HOUSING

material thickness fitting in mm	2.50
material thickness fork in mm	2.00
fitting	plate
mounting dimension in mm	80 / 77 x 60
offset dimension in mm	36
total height in mm	128
swivel radius in mm	115
dyn. load capacity in kg	150
test norm	DIN EN 12532

**CASCOO Europe GmbH**Lütke Haar 15 • 59602 Rüthen • Germany  
+49 2952 - 970629-0  
info@cascoo.eu • www.cascoo.eu

TIP26SC100N2U6Q0N

# SWIVEL CASTOR WITH TOTAL BRAKE Ø 100 MM SERIES N2U6 ROLLER BEARING STAINLESS STEEL



**CASCOO Europe GmbH**

Lütke Haar 15 • 59602 Rüthen • Germany  
+49 2952 - 970629-0  
info@cascoo.eu • www.cascoo.eu