

SIP26SC080N0N0L0N

## SWIVEL CASTOR Ø 80 MM SERIES N0N0 PLAIN BEARING STAINLESS STEEL

### WHEEL

wheel diameter in mm	80
wheel width in mm	34
hub width in mm	40
screw size	M8
tread	polyamide white
wheel center	polyamide white
bearing	plain bearing stainless steel
threadguard	without separate threadguard
temperature range	-40°C to +80°C



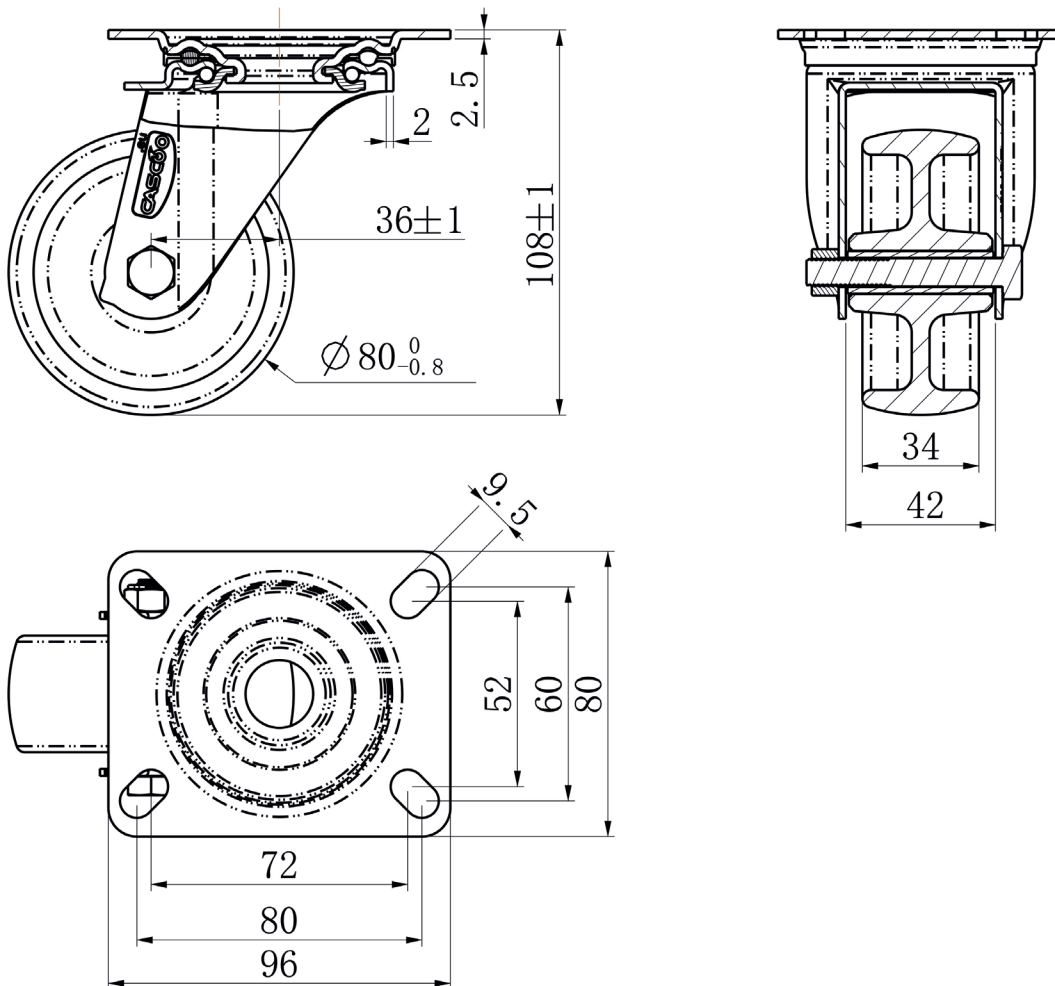
### HOUSING

material thickness fitting in mm	2.50
material thickness fork in mm	2.00
fitting	plate
mounting dimension in mm	80 / 77 x 60
offset dimension in mm	36
total height in mm	108
swivel radius in mm	0
dyn. load capacity in kg	130
test norm	DIN EN 12532



SIP26SC080N0N0L0N

# SWIVEL CASTOR Ø 80 MM SERIES N0N0 PLAIN BEARING STAINLESS STEEL



**CASCOO Europe GmbH**

Lütke Haar 15 • 59602 Rüthen • Germany  
+49 2952 - 970629-0  
info@cascoo.eu • www.cascoo.eu