

SPP57WC160N2U6B32

SWIVEL CASTOR Ø 160 MM SERIES N2U6 BALL BEARING

WHEEL

wheel diameter in mm	160
wheel width in mm	40
hub width in mm	59
screw size	M12
tread	thermopl. polyurethane 95° shore A red
wheel center	polyamide grey
bearing	ball bearing
threadguard	small nylon threadguard
temperature range	-40°C to +80°C



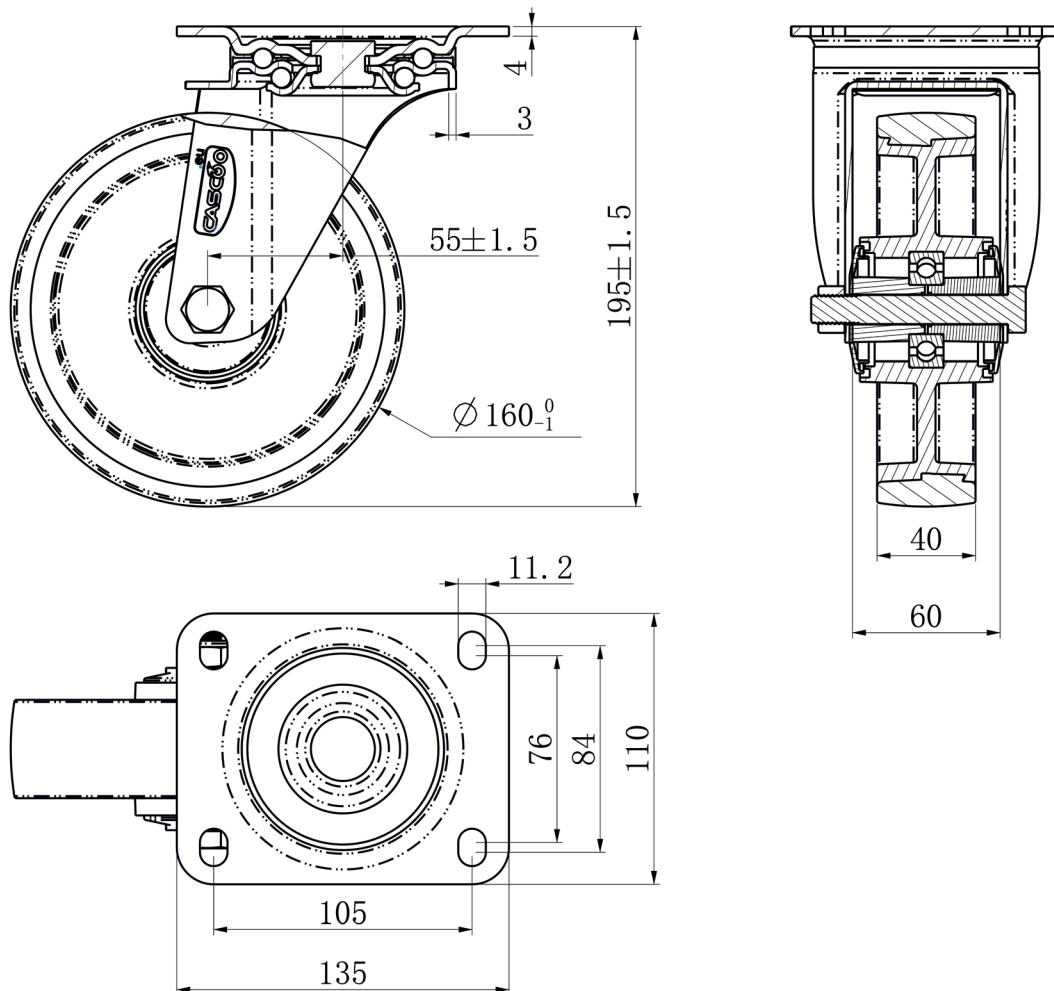
HOUSING

material thickness fitting in mm	4.00
material thickness fork in mm	3.00
fitting	plate
mounting dimension in mm	105 x 84 / 76
offset dimension in mm	55
total height in mm	195
swivel radius in mm	0
dyn. load capacity in kg	350
test norm	DIN EN 12532

**CASCOO Europe GmbH**Lütke Haar 15 • 59602 Rüthen • Germany
+49 2952 - 970629-0
info@cascoo.eu • www.cascoo.eu

SPP57WC160N2U6B32

SWIVEL CASTOR Ø 160 MM SERIES N2U6 BALL BEARING



CASCOO Europe GmbH

Lütke Haar 15 • 59602 Rüthen • Germany
+49 2952 - 970629-0
info@cascoo.eu • www.cascoo.eu