

TIP36SC125N2U6Q0N

SWIVEL CASTOR WITH TOTAL BRAKE Ø 125 MM SERIES N2U6 ROLLER BEARING STAINLESS STEEL

WHEEL

wheel diameter in mm	125
wheel width in mm	32
hub width in mm	50
screw size	M8
tread	thermopl. polyurethane 95° shore A red
wheel center	polyamide grey
bearing	roller bearing stainless steel
threadguard	without separate threadguard
temperature range	-40°C to +80°C



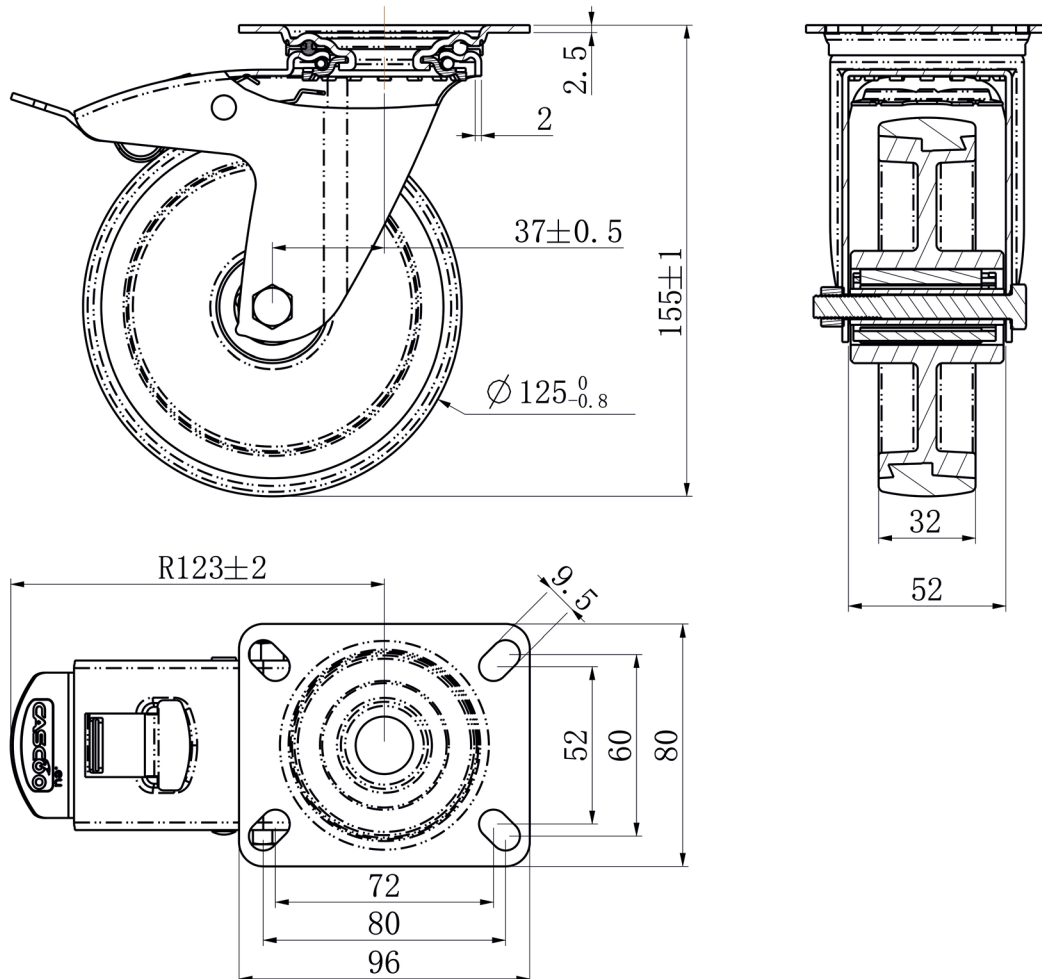
HOUSING

material thickness fitting in mm	2.50
material thickness fork in mm	2.00
fitting	plate
mounting dimension in mm	80 / 77 x 60
offset dimension in mm	40
total height in mm	155
swivel radius in mm	120
dyn. load capacity in kg	200
test norm	DIN EN 12532

**CASCOO Europe GmbH**Lütke Haar 15 • 59602 Rüthen • Germany
+49 2952 - 970629-0
info@cascoo.eu • www.cascoo.eu

TIP36SC125N2U6Q0N

SWIVEL CASTOR WITH TOTAL BRAKE Ø 125 MM SERIES N2U6 ROLLER BEARING STAINLESS STEEL



CASCOO Europe GmbH

Lütke Haar 15 • 59602 Rüthen • Germany
+49 2952 - 970629-0
info@cascoo.eu • www.cascoo.eu