

125SWS4R0N

WHEEL Ø 125 MM SERIES SWS4 ROLLER BEARING

WHEEL

wheel diameter in mm	125
wheel width in mm	37
hub width in mm	50
screw size	M10
tread	solid rubber 85° shore A black
wheel center	sheet steel blue passivated
bearing	roller bearing
threadguard	without separate threadguard
temperature range	-20°C to +60°C



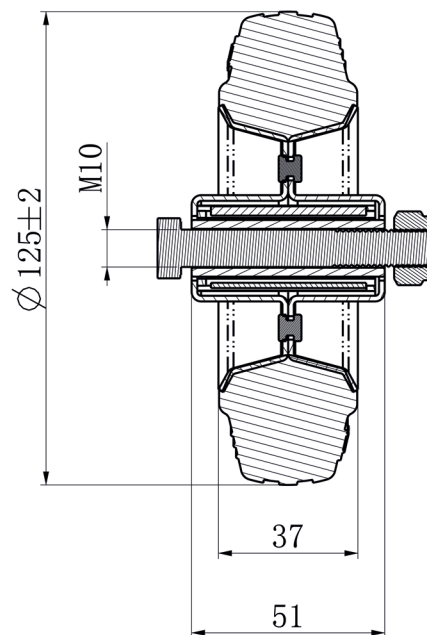
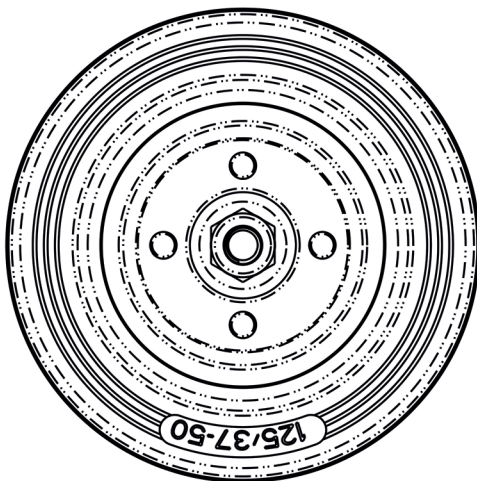
HOUSING

material thickness fitting in mm	
material thickness fork in mm	
fitting	
mounting dimension in mm	
offset dimension in mm	0
total height in mm	
swivel radius in mm	0
dyn. load capacity in kg	100
test norm	DIN EN 12532



125SWS4R0N

WHEEL Ø 125 MM SERIES SWS4 ROLLER BEARING



CASCOO Europe GmbH

Lütke Haar 15 • 59602 Rüthen • Germany
+49 2952 - 970629-0
info@cascoo.eu • www.cascoo.eu