

TPP31WC125R4E2B34

SWIVEL CASTOR WITH TOTAL BRAKE Ø 125 MM SERIES R4E2 BALL BEARING

WHEEL

wheel diameter in mm	125
wheel width in mm	38
hub width in mm	50
screw size	M10
tread	elastic 65° shore A grey
wheel center	polyamide black
bearing	ball bearing
threadguard	small nylon threadguard
temperature range	-20°C to +80°C



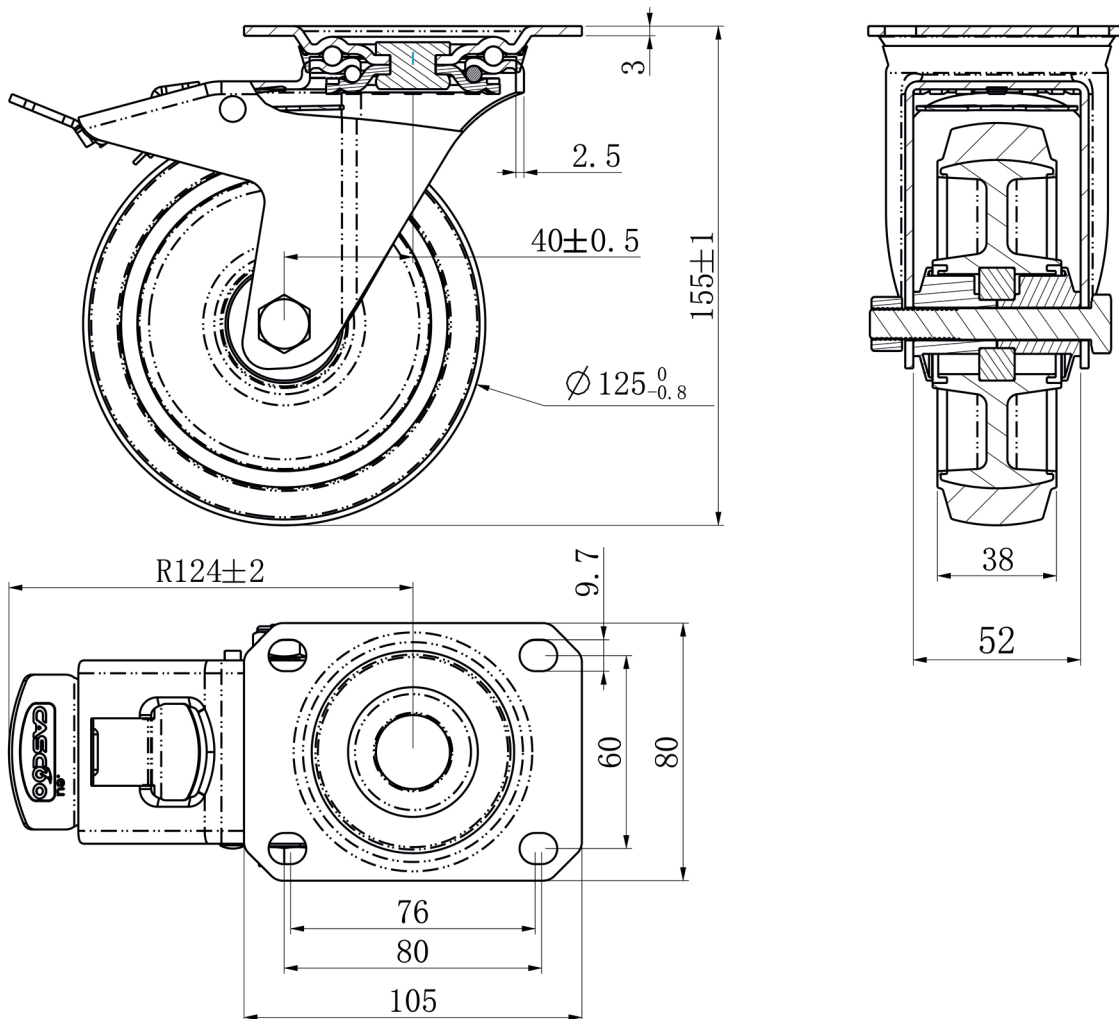
HOUSING

material thickness fitting in mm	3.00
material thickness fork in mm	2.50
fitting	plate
mounting dimension in mm	80 / 77 x 60
offset dimension in mm	45
total height in mm	155
swivel radius in mm	127
dyn. load capacity in kg	220
test norm	DIN EN 12532



TPP31WC125R4E2B34

SWIVEL CASTOR WITH TOTAL BRAKE Ø 125 MM SERIES R4E2 BALL BEARING



CASCOO Europe GmbH

Lütke Haar 15 • 59602 Rüthen • Germany
+49 2952 - 970629-0
info@cascoo.eu • www.cascoo.eu