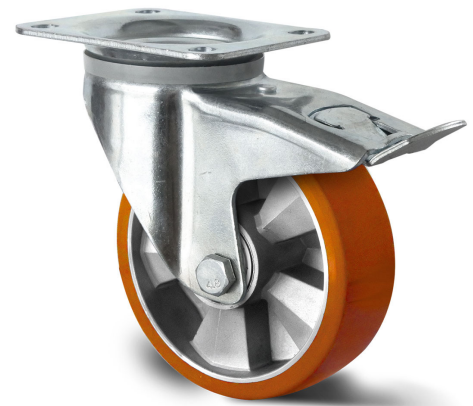


THP5EWC160BAU5D0N

SWIVEL CASTOR WITH TOTAL BRAKE Ø 160 MM SERIES BAU5 DOUBLE BALL BEARING

WHEEL

wheel diameter in mm	160
wheel width in mm	50
hub width in mm	60
screw size	M12
tread	polyurethane 93 - 95° shore A brown
wheel center	aluminium (heavy duty)
bearing	double ball bearing
threadguard	without separate threadguard
temperature range	-20°C to +60°C



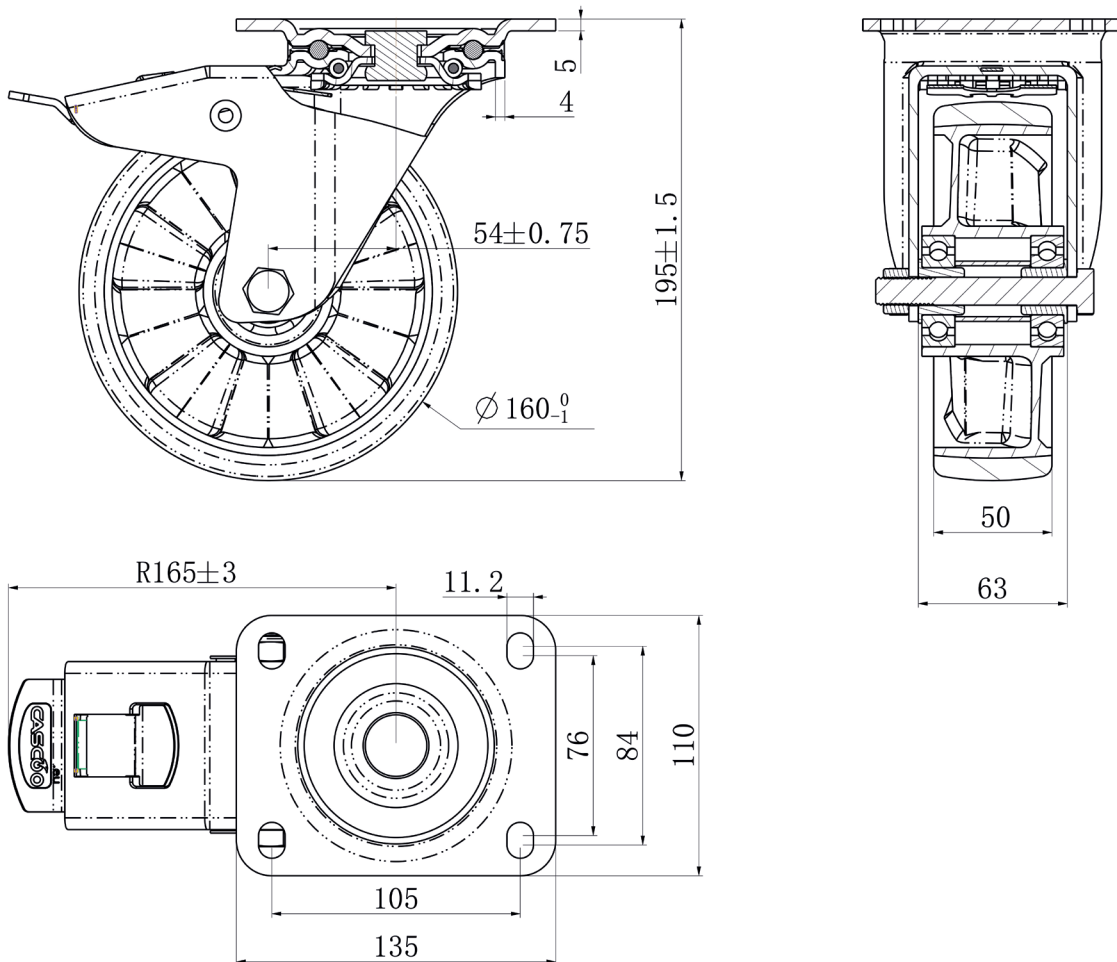
HOUSING

material thickness fitting in mm	5.00
material thickness fork in mm	4.00
fitting	plate
mounting dimension in mm	105 x 84 / 76
offset dimension in mm	55
total height in mm	195
swivel radius in mm	165
dyn. load capacity in kg	600
test norm	DIN EN 12533



THP5EWC160BAU5D0N

SWIVEL CASTOR WITH TOTAL BRAKE Ø 160 MM SERIES BAU5 DOUBLE BALL BEARING



CASCOO Europe GmbH

Lütke Haar 15 • 59602 Rüthen • Germany
+49 2952 - 970629-0
info@cascoo.eu • www.cascoo.eu