

TBP35WC125N2U6R1W

SWIVEL CASTOR WITH TOTAL BRAKE Ø 125 MM SERIES N2U6 ROLLER BEARING

WHEEL

wheel diameter in mm	125
wheel width in mm	32
hub width in mm	50
screw size	M10
tread	thermopl. polyurethane 95° shore A red
wheel center	polyamide grey
bearing	roller bearing
threadguard	small metal threadguard
temperature range	-40°C to +80°C



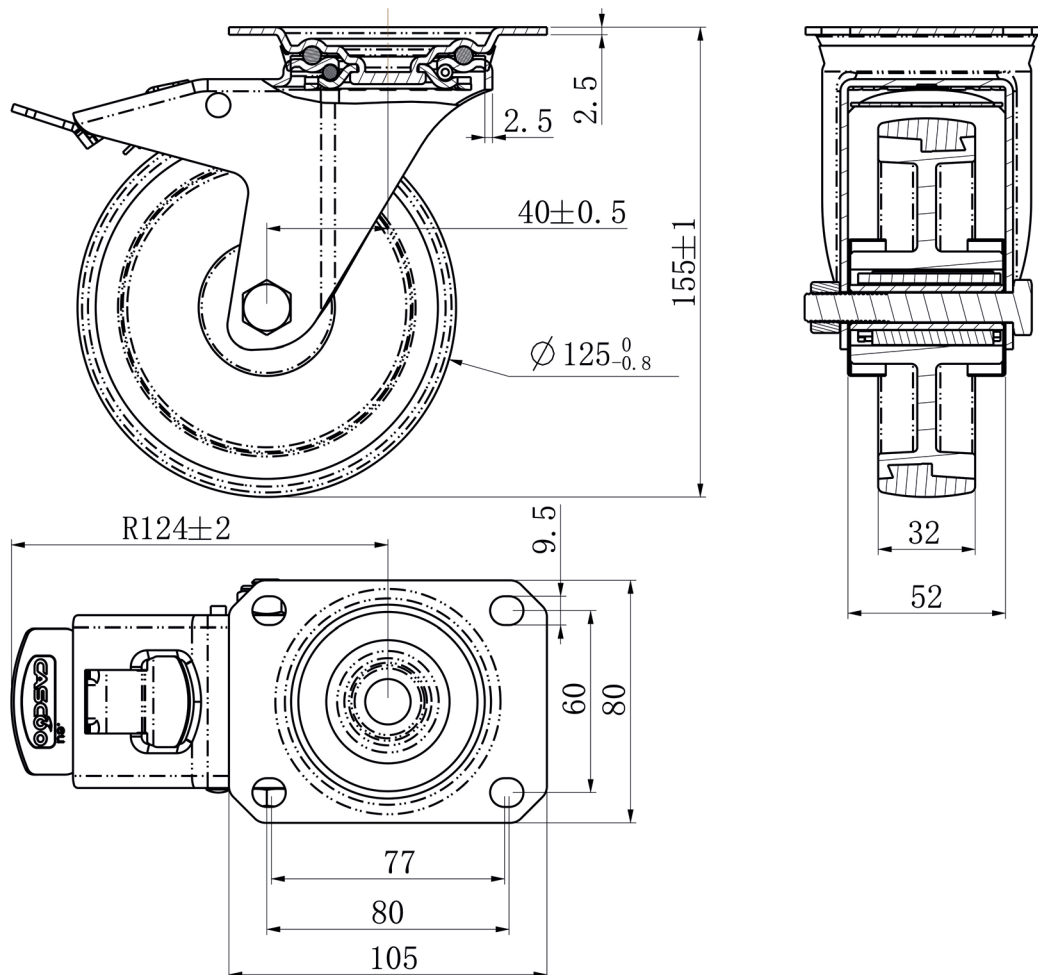
HOUSING

material thickness fitting in mm	2.50
material thickness fork in mm	2.50
fitting	plate
mounting dimension in mm	80 / 77 x 60
offset dimension in mm	45
total height in mm	155
swivel radius in mm	127
dyn. load capacity in kg	200
test norm	DIN EN 12532



TBP35WC125N2U6R1W

SWIVEL CASTOR WITH TOTAL BRAKE Ø 125 MM SERIES N2U6 ROLLER BEARING



CASCOO Europe GmbH

Lütke Haar 15 • 59602 Rüthen • Germany
+49 2952 - 970629-0
info@cascoo.eu • www.cascoo.eu