

SIP26SC100N0N0L0N

SWIVEL CASTOR Ø 100 MM SERIES N0N0 PLAIN BEARING STAINLESS STEEL

WHEEL

wheel diameter in mm	100
wheel width in mm	36
hub width in mm	40
screw size	M8
tread	polyamide white
wheel center	polyamide white
bearing	plain bearing stainless steel
threadguard	without separate threadguard
temperature range	-40°C to +80°C



HOUSING

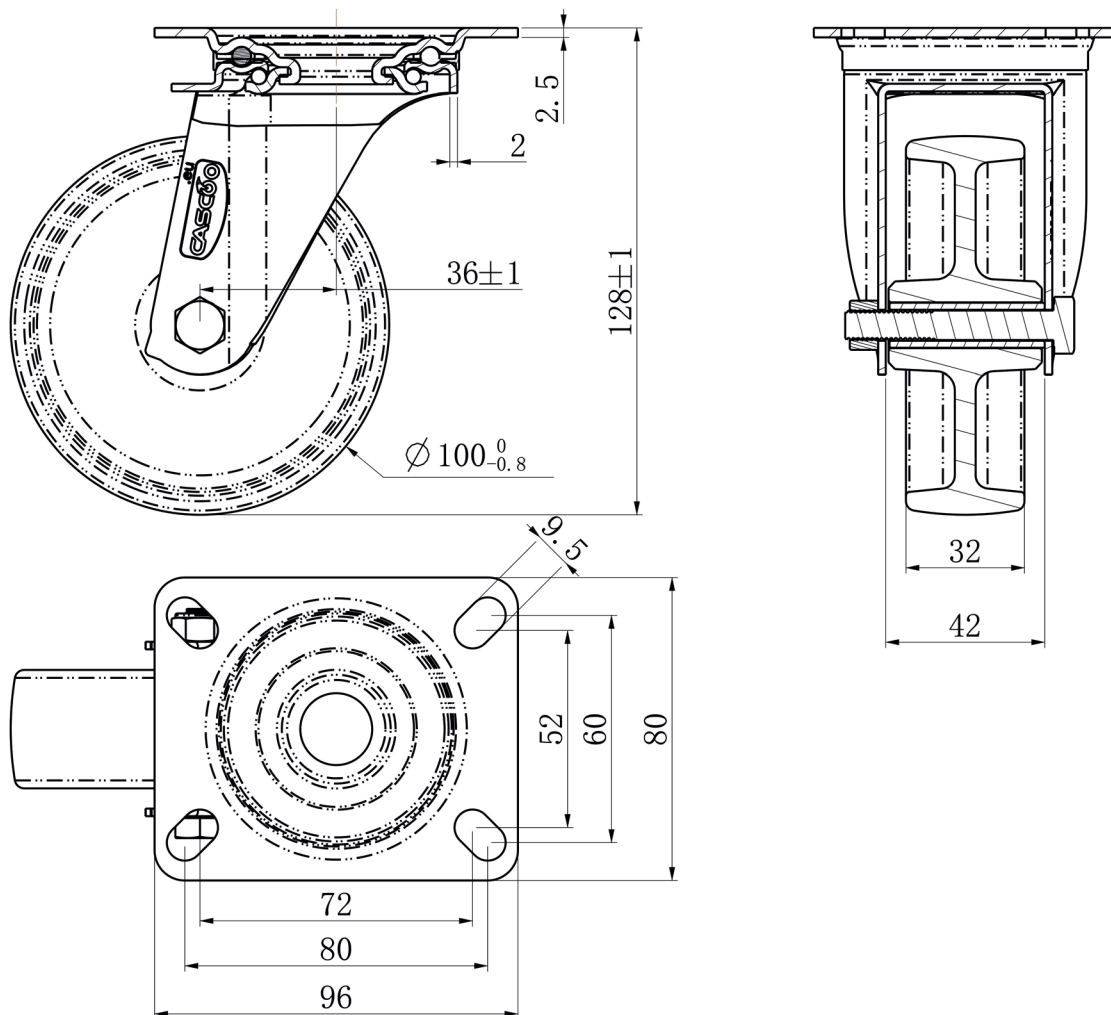
material thickness fitting in mm	2.50
material thickness fork in mm	2.00
fitting	plate
mounting dimension in mm	80 / 77 x 60
offset dimension in mm	36
total height in mm	128
swivel radius in mm	0
dyn. load capacity in kg	150
test norm	DIN EN 12532

**CASCOO Europe GmbH**

Lütke Haar 15 • 59602 Rüthen • Germany
+49 2952 - 970629-0
info@cascoo.eu • www.cascoo.eu

SIP26SC100N0N0L0N

SWIVEL CASTOR Ø 100 MM SERIES N0N0 PLAIN BEARING STAINLESS STEEL



CASCOO Europe GmbH

Lütke Haar 15 • 59602 Rüthen • Germany
+49 2952 - 970629-0
info@cascoo.eu • www.cascoo.eu