

TIP5OSC160N2U6Q0N

## SWIVEL CASTOR WITH TOTAL BRAKE Ø 160 MM SERIES N2U6 ROLLER BEARING STAINLESS STEEL

### WHEEL

wheel diameter in mm	160
wheel width in mm	40
hub width in mm	59
screw size	M12
tread	thermopl. polyurethane 95° shore A red
wheel center	polyamide grey
bearing	roller bearing stainless steel
threadguard	without separate threadguard
temperature range	-40°C to +80°C



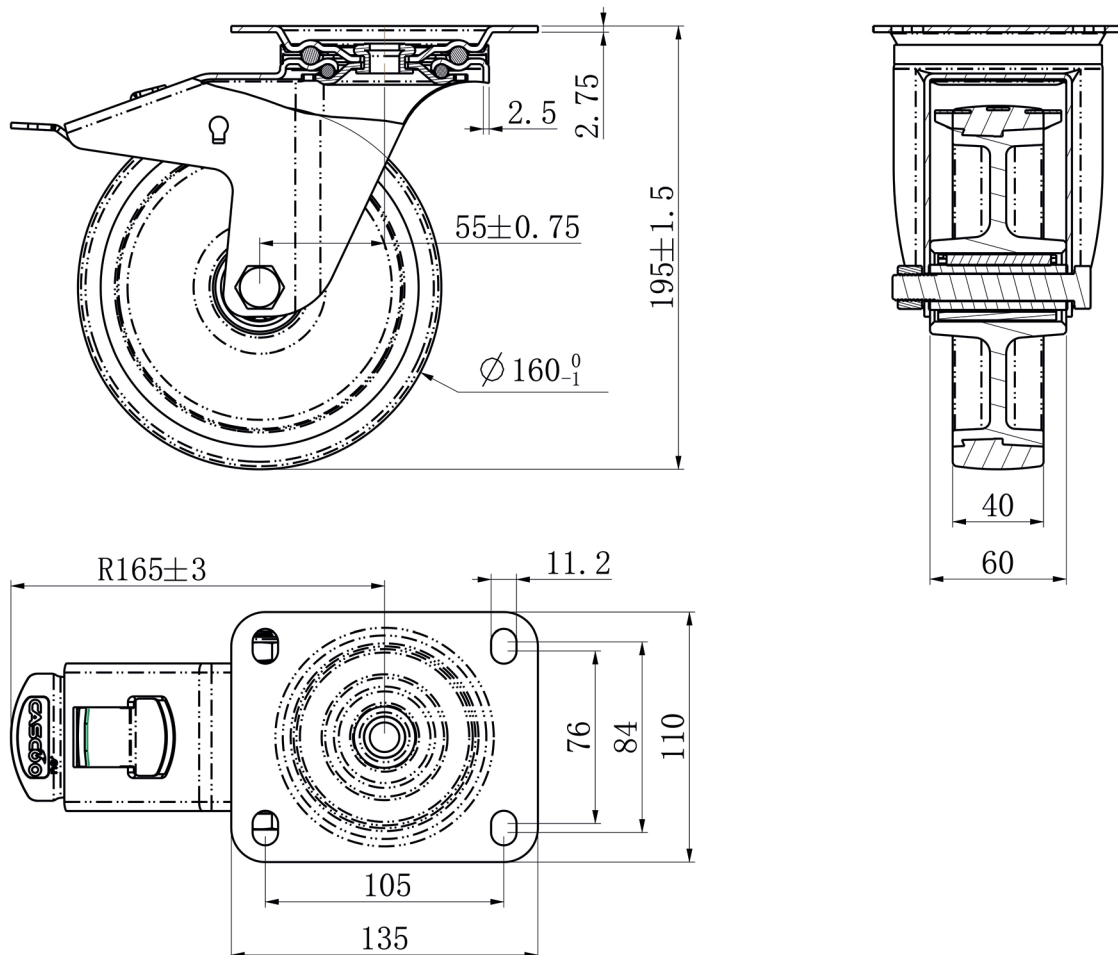
### HOUSING

material thickness fitting in mm	2.75
material thickness fork in mm	2.50
fitting	plate
mounting dimension in mm	105 x 76 / 84
offset dimension in mm	55
total height in mm	195
swivel radius in mm	165
dyn. load capacity in kg	300
test norm	DIN EN 12532

**CASCOO Europe GmbH**Lütke Haar 15 • 59602 Rüthen • Germany  
+49 2952 - 970629-0  
info@cascoo.eu • www.cascoo.eu

TIP5OSC160N2U6Q0N

# SWIVEL CASTOR WITH TOTAL BRAKE Ø 160 MM SERIES N2U6 ROLLER BEARING STAINLESS STEEL



**CASCOO Europe GmbH**

Lütke Haar 15 • 59602 Rüthen • Germany  
+49 2952 - 970629-0  
info@cascoo.eu • www.cascoo.eu