



160R4E2D34

## WHEEL Ø 160 MM SERIES R4E2 DOUBLE BALL BEARING

### WHEEL

wheel diameter in mm	160
wheel width in mm	46
hub width in mm	59
screw size	M12
tread	elastic 65° shore A grey
wheel center	polyamide black
bearing	double ball bearing
threadguard	small nylon threadguard
temperature range	-20°C to +80°C



### HOUSING

material thickness fitting in mm	
material thickness fork in mm	
fitting	
mounting dimension in mm	
offset dimension in mm	0
total height in mm	
swivel radius in mm	0
dyn. load capacity in kg	300
test norm	DIN EN 12532

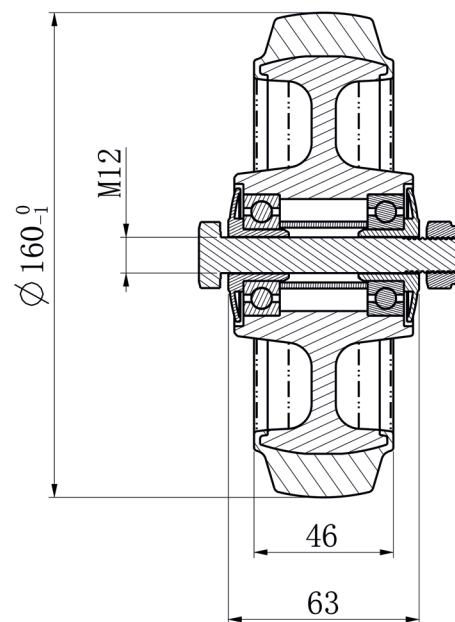
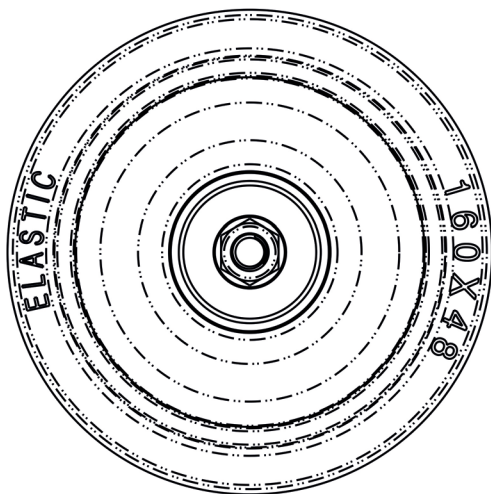


### CASCOO Europe GmbH

Lütke Haar 15 • 59602 Rüthen • Germany  
+49 2952 - 970629-0  
info@cascoo.eu • www.cascoo.eu

160R4E2D34

# WHEEL Ø 160 MM SERIES R4E2 DOUBLE BALL BEARING



**CASCOO Europe GmbH**

Lütke Haar 15 • 59602 Rüthen • Germany  
+49 2952 - 970629-0  
info@cascoo.eu • www.cascoo.eu