

BBH85WC125N2U6R1W

BOLT HOLE SWIVEL CASTOR WITH TOTAL BRAKE Ø 125 MM SERIES N2U6 ROLLER BEARING

WHEEL

| | |
|----------------------|--|
| wheel diameter in mm | 125 |
| wheel width in mm | 32 |
| hub width in mm | 50 |
| screw size | M10 |
| tread | thermopl. polyurethane 95° shore A red |
| wheel center | polyamide grey |
| bearing | roller bearing |
| threadguard | small metal threadguard |
| temperature range | -40°C to +80°C |



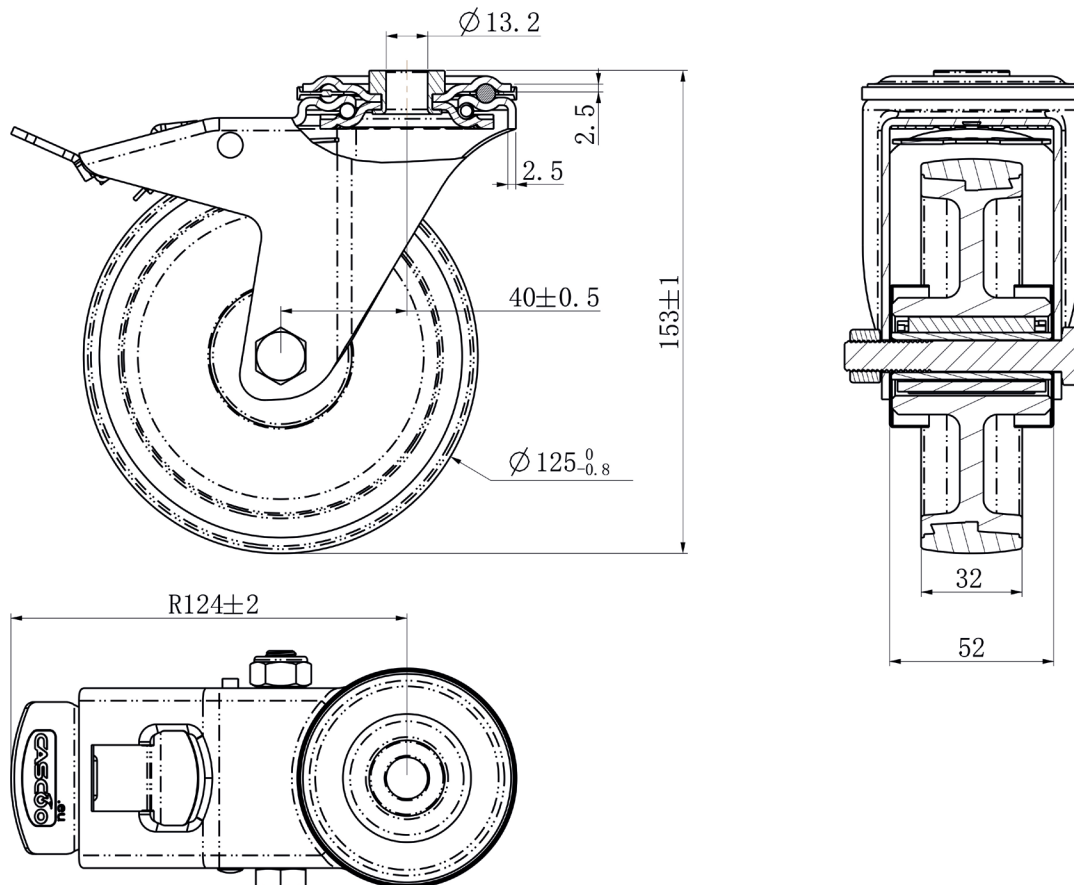
HOUSING

| | |
|----------------------------------|--------------|
| material thickness fitting in mm | 2.50 |
| material thickness fork in mm | 2.50 |
| fitting | bolt hole |
| mounting dimension in mm | 13 |
| offset dimension in mm | 40 |
| total height in mm | 154 |
| swivel radius in mm | 127 |
| dyn. load capacity in kg | 160 |
| test norm | DIN EN 12532 |



BBH85WC125N2U6R1W

BOLT HOLE SWIVEL CASTOR WITH TOTAL BRAKE Ø 125 MM SERIES N2U6 ROLLER BEARING



CASCOO Europe GmbH

Lütke Haar 15 • 59602 Rüthen • Germany
+49 2952 - 970629-0
info@cascoo.eu • www.cascoo.eu