

200R4E2D34

WHEEL Ø 200 MM SERIES R4E2 DOUBLE BALL BEARING

WHEEL

| | |
|----------------------|--------------------------|
| wheel diameter in mm | 200 |
| wheel width in mm | 46 |
| hub width in mm | 59 |
| screw size | M12 |
| tread | elastic 65° shore A grey |
| wheel center | polyamide black |
| bearing | double ball bearing |
| threadguard | small nylon threadguard |
| temperature range | -20°C to +80°C |



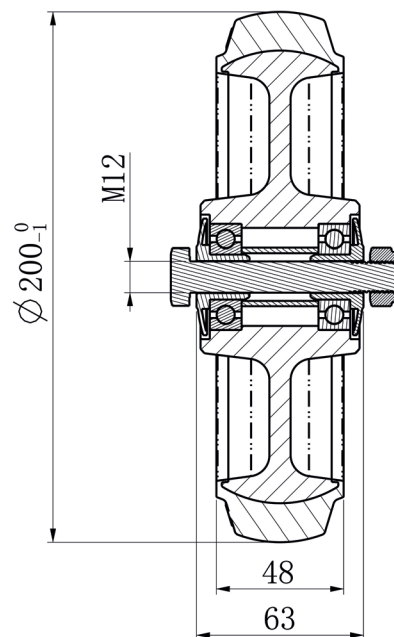
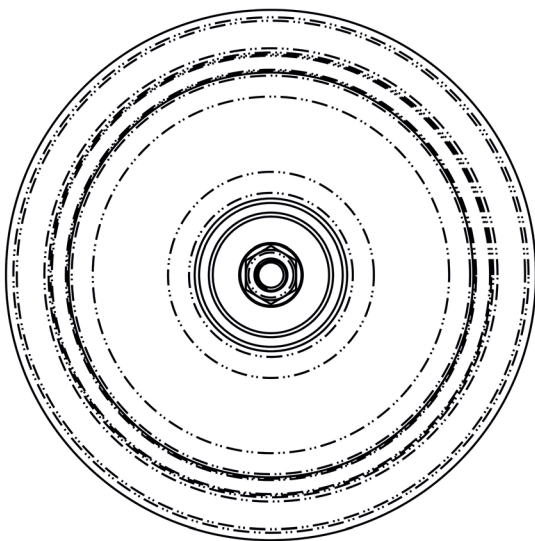
HOUSING

| | |
|----------------------------------|--------------|
| material thickness fitting in mm | |
| material thickness fork in mm | |
| fitting | |
| mounting dimension in mm | |
| offset dimension in mm | 0 |
| total height in mm | |
| swivel radius in mm | 0 |
| dyn. load capacity in kg | 350 |
| test norm | DIN EN 12532 |



200R4E2D34

WHEEL Ø 200 MM SERIES R4E2 DOUBLE BALL BEARING



CASCOO Europe GmbH

Lütke Haar 15 • 59602 Rüthen • Germany
+49 2952 - 970629-0
info@cascoo.eu • www.cascoo.eu