

HIH36SC080N2U6Q0N

BOLT HOLE SWIVEL CASTOR Ø 80 MM SERIES N2U6 ROLLER BEARING STAINLESS STEEL

WHEEL

wheel diameter in mm	80
wheel width in mm	32
hub width in mm	40
screw size	M8
tread	thermopl. polyurethane 95° shore A red
wheel center	polyamide grey
bearing	roller bearing stainless steel
threadguard	without separate threadguard
temperature range	-40°C to +80°C



HOUSING

material thickness fitting in mm	2.50
material thickness fork in mm	2.00
fitting	bolt hole
mounting dimension in mm	13
offset dimension in mm	36
total height in mm	106
swivel radius in mm	0
dyn. load capacity in kg	130
test norm	DIN EN 12532

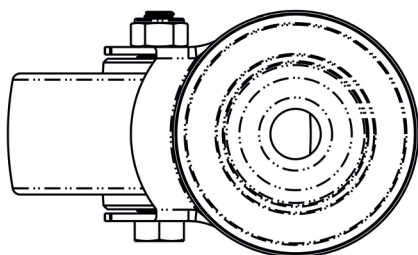
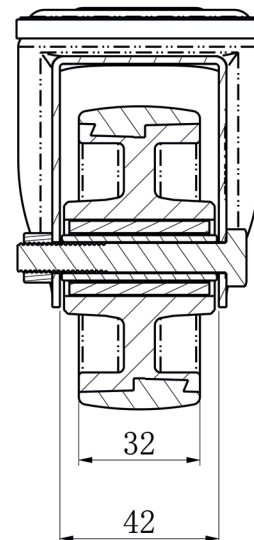
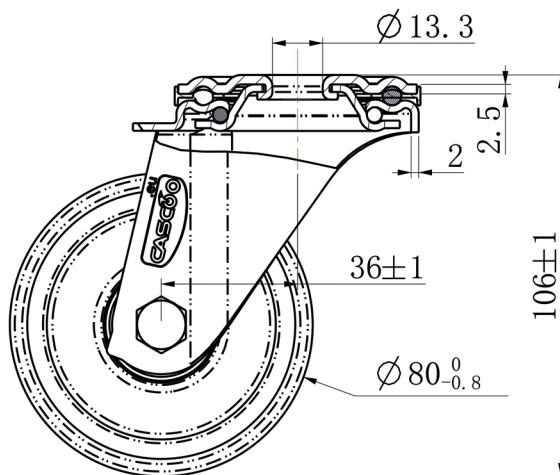


CASCOO Europe GmbH

Lütke Haar 15 • 59602 Rüthen • Germany
+49 2952 - 970629-0
info@cascoo.eu • www.cascoo.eu

HIH36SC080N2U6Q0N

BOLT HOLE SWIVEL CASTOR Ø 80 MM SERIES N2U6 ROLLER BEARING STAINLESS STEEL



CASCOO Europe GmbH

Lütke Haar 15 • 59602 Rüthen • Germany
+49 2952 - 970629-0
info@cascoo.eu • www.cascoo.eu